



Slimline

**Medical Power Supply**  
User Configurable 1U size



patents pending



**PLUG & PLAY POWER**  
next generation power source

**FEATURES**

- EN60601-1 and UL2601-1 approved
- Less than 300µA leakage current
- 4000VAC isolation
- Slimmest 600W configurable power
- Extra low profile: 1U height (40mm)
- Ultra high efficiency, up to 89%
- Plug & Play Power
  - allows fast custom configuration
  - allow easy logistics
- FLEXIMOUNT Flexible mounting system
- Few electrolytic capacitors (all long life)
- Series / Parallel of multiple outputs
- 5V bias standby voltage provided
- Individual output control signals

**APPLICATIONS INCLUDE**

- Radiological imaging
- Clinical diagnostics
- Medical lasers
- Clinical chemistry
- For non-medical applications see Xlite

The Xmite family of medically approved power supplies provides up to 600W in a slimline 1U x 260 x 89mm package. The Xmite family carries full safety agency approvals to EN60601-1 and UL2601-1, meeting the stringent creepage requirements in this compact package. Providing up to 8 isolated outputs, the Xmite family is the most flexible power supply in its class and brings affordable configurable power to the 200-600W medical market.

The Xmite family consists of 3 *powerPac* models in 200W, 400W and 600W power levels. Each *powerPac* model may be populated with up to 4 *powerMods* selected from the table of *powerMods* shown below. Simply select your appropriate *powerPac* and *powerMods* to get your instant custom power solution.

This slimline product boasts unrivalled power density, providing significant system space savings. Combined with ultra-high efficiencies, the Xmite family provides system designers with flexible instant solutions that significantly shorten system design-in time.

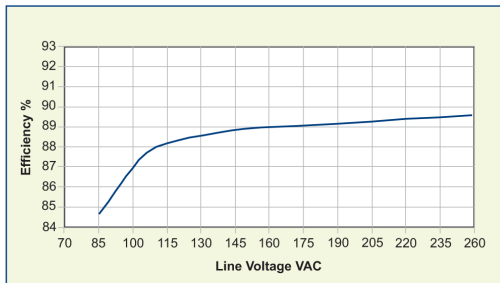
**powerMods**

MODEL	Vmin	Vnom	Vmax	Imax	Watts	
Xg1	1.5	2.5	3.6	50A	125W	
Xg2	3.2	5.0	6.0	40A	200W	
Xg3	6.0	12.0	15.0	20A	240W	
Xg4	12.0	24.0	30.0	10A	240W	
Xg5	28.0	48.0	58.0	6A	288W	
Xg7	5.0	24.0	28.0	5A	120W	
Xg8	v1	5.0	24.0	28.0	3A	72W
	v2	5.0	24.0	28.0	3A	72W

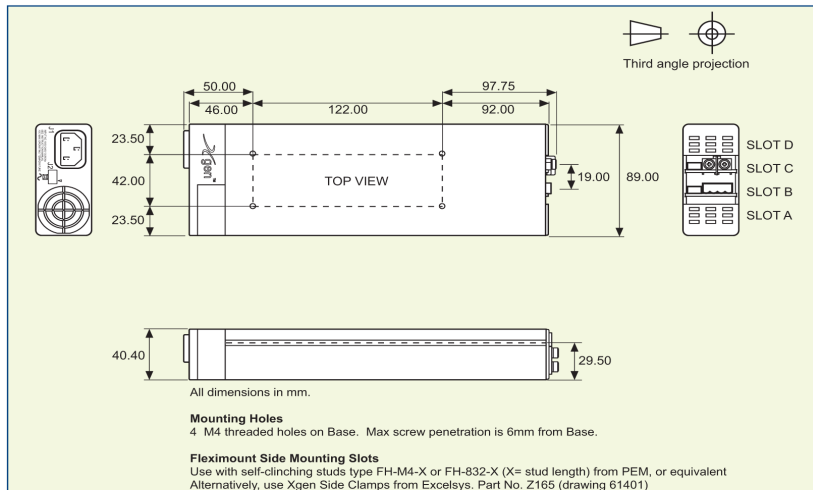
**powerPacs**

	MODEL	Watts
Xmite	XMA	200W
	XMB	400W
	XMC	600W

**EFFICIENCY (typical)**



**MECHANICAL SPECIFICATIONS**



**SPECIFICATION** applies to configured units consisting of *powerMods* modules plugged into the appropriate *powerPac*

INPUT					
Parameter	Conditions/Description	Min	Nom	Max	Units
Input Voltage Range	Universal Input	85		264	VAC
		120		380	VDC
Input Frequency Range		47		63	Hz
Power Rating	XMA			200	W
	XMB			400	W
	XMC	Derate linearly from 600W at 180VAC to 400W at 85VAC		600	W
Input Current	XMA	85VAC in 200W out	4.0		A
	XMB	85VAC in 400W out	6.0		A
	XMC	85VAC in 400W out	7.5		A
Inrush Current	230VAC @ 25°C			50	A
Undervoltage Lockout	Shutdown	65		74	VAC
Fusing	XMA	250V 5 x 20mm		F5A HRC	
	XMB	250V 5 x 20mm		F6.3A HRC	
	XMC	250V 5 x 20mm		F8A HRC	

OUTPUT					
Parameter	Conditions/Description	Min	Nom	Max	Units
<i>powerMod</i> Power	As per <i>powerMod</i> table				
Output Adjustment Range	Manual: Multi-turn potentiometer. As per <i>powerMod</i> table				
	Electronic: See Xgen Designers' Manual				
Minimum Load			0		A
Line Regulation	For ±10% change from nominal line			±0.1	%
Load Regulation	For 25% to 75% load change			±0.2	%
Cross Regulation				±0.2	%
Transient Response	For 25% to 75% load change Voltage Deviation Settling Time			10	%
				250	µs
Ripple and Noise	20MHz Bandwidth			1.0	% pk-pk
Overvoltage Protection	1st level: Vset Tracking. 2nd level: Vmax (Latching)	110		125	%
Overcurrent Protection	Straight line with hiccup activation at <30% of Vnom See Designer's Manual for full details	110		120	%
Remote Sense	Max. line drop compensation. (except Xg7, Xg8)			0.5	VDC
Overshoot				2	%
Turn-on Delay	From AC In / Enable signal			300 / 30	ms
Rise Time	Monotonic			5	ms
Hold-up Time	For nominal output voltages at full load	20			ms
Output Isolation	Output to Output / Output to Chassis	500 / 500			VDC

GENERAL					
Parameter	Conditions/Description	Min	Nom	Max	Units
Isolation Voltage	Input to Output	4000			VAC
	Input to Chassis	1500			VAC
Efficiency	230VAC, 400W @ 24V		89		%
Safety Agency Approvals	EN60601-1, UL2601-1, CSA601-1 UL File No. E230761				
Leakage Current	250VAC, 60Hz, 25°C			300	µA
Signals	See Xgen Series datasheet				
Bias Supply	Always ON. Current 250mA	4.9	5.0	5.1	VDC
Reliability	Failures per million hours at 25°C and full load See Designers' Manual. <i>powerPac</i> excludes fans			1.0	fpmh
				0.5	fpmh

EMC					
Parameter	Standard	Level			Units
<b>Emissions</b>					
Conducted	EN55011, EN55022, FCC		Level B		
Radiated	EN55011, EN55022, FCC		Level B		
Harmonic Distortion	EN61000-3-2		Compliant		
Flicker and Fluctuation	EN61000-3-3		Compliant		
<b>Immunity</b>					
Electrostatic Discharge	EN61000-4-2		Level 4		
Radiated RFI	EN61000-4-3		Level 3		
Fast Transients - burst	EN61000-4-4		Level 4		
Input Line Surges	EN61000-4-5		Class 4		
Conducted RFI	EN61000-4-6		10		V/m
Voltage Dips	EN61000-4-11 (EN55024)		10		ms

ENVIRONMENTAL					
Parameter	Conditions/Description	Min	Nom	Max	Units
Operating Temperature		-20		+70	°C
Storage Temperature		-40		+85	°C
Derating	2.5% per °C above 40°C. See Designers Manual for full deratings				
Relative Humidity	Non-condensing	5		95	%RH
Shock	3000 Bumps, 10G (16ms) half sine				
Vibration	1.5G	10		200	Hz

- NOTES**
1. This product is not intended for use as a stand alone unit and must be installed by qualified personnel.
  2. The specifications contained herein are believed to be correct at time of publication and are subject to change without notice.
  3. All specifications at nominal input, full load, 25°C unless otherwise stated.